

GUARANTEE

This product is guaranteed against defects in material and workmanship for 2 years from the date of purchase, under normal usage. The guarantee DOES NOT APPLY in case of improper use, negligence, lack of maintenance or accidental damage to the EBWC. If the EBWC fails due to a manufacturing fault within this period it will be either repaired or replaced free of charge. Liability is limited to replacement of the faulty product only; no other costs will be reimbursed.

This guarantee is not transferable and does not affect your statutory rights. This guarantee does not confer any rights other than those expressly set out above. Excludes antenna which may require replacing annually. If any parts need replacing, spares are available from your retailer.



Established over 40 years ago, Blagdon are committed to producing a comprehensive range of high quality, easy to use, pond equipment. An ongoing programme of research and development ensures excellent performance and value for all their customers. This product excellence is demonstrated by Blagdon's award winning range of water gardening equipment. As a result Blagdon's reputation for quality is unrivalled amongst experienced pond gardeners and retailers alike.

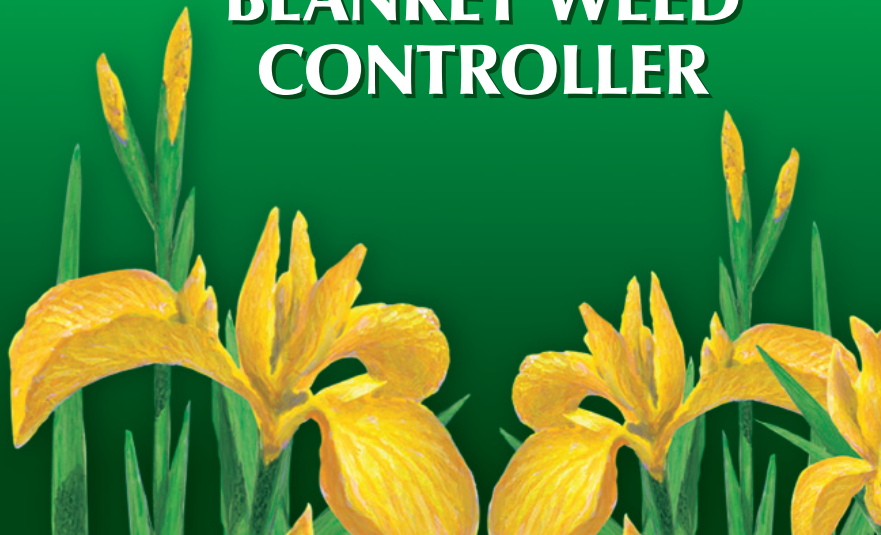
Blagdon - The Pond Masters
The name you can rely on

Interpet
Dorking, Surrey, RH4 3YX

Leaflet Code: POS 0008



THE POND MASTERS GUIDE TO ELECTRONIC BLANKET WEED CONTROLLER





THE POND MASTERS GUIDE TO ELECTRONIC BLANKET WEED CONTROLLER

Congratulations on buying a Blagdon Electronic Blanket Weed Controller.

Blanket weed is a fast growing filamentous algae. It forms a strong mat-like growth that is not only unsightly but can clog and damage pumps and filters.

The Electronic Blanket Weed Controller has a unique microprocessor, which emits varying radio frequencies through antennae cables provided. This disrupts the calcium ions in the water and causes the blanket weed's cells to break up.

IMPORTANT

Please attach proof of purchase to this manual and file in a safe place.

CONTENTS

Getting to know your Electronic Blanket Weed Controller	1	Installation	2 - 5
How it works	1	Mounting the EBWC	4
Parts description	1	Electrical installation	2 - 5
Spares codes	1	Faults problems procedure	5
Technical specification	1	Consumer advice contact details	5
Power status active indicator lights	1	Returning a faulty EBWC	5

GETTING TO KNOW YOUR ELECTRONIC BLANKET WEED CONTROLLER

HOW IT WORKS

Blanket weed spirogyra is a fast growing filamentous algae that thrives in clear water ponds, high in nutrients. It forms a strong mat like growth that is not only unsightly but can block and damage pond pumps and filters. In addition, should large growths suddenly be killed or die off, there is a chance that the pond will become polluted.

The growth of blanket weed is dependent on the correct form of calcium being available for it to form its cell structure. The blanket weed controller destabilises the balance of calcium in your pond water causing an increase in the metabolism in the algae cells. The cells are unable to maintain the increased growth rate, weaken and die off.

The chemical balance within your pond water should be correct in order to achieve optimum performance from your blanket weed controller. Nitrites and nitrates should be kept to a minimum and the Ph value of the water should not be higher than 7.8. The EBWC must be kept running continuously during the summer months and may need to be kept active throughout the year in mild winters when the blanket weed is still active.

Depending on the environmental conditions in the pond, the full effects on the metabolism of the blanket weed and its reduction may not be seen for up to 90 days.

PARTS DESCRIPTION/CODES

Part Description	Spare Code
Fixing bracket	1040389
Fixing bracket screws and plugs set	1040396
Antenna and cable ties	1040488

TECHNICAL SPECIFICATION

EBWC	
Voltage	220/240V
Hertz	50/60
Safety rating	IP56 CE
Cable	3 metres
Wattage	1.6W
Maximum pond size	23000lt (5060gal)

POWER STATUS ACTIVE INDICATOR LIGHTS

The EBWC has a advanced microprocessor that controls the radio frequency output and test circuit.

When the unit is active the green LED light will flash continuously.

When the power is turned on. If the unit flashes for a few seconds and stops this means that the antenna has not been correctly attached to the plugs on the EBWC or that the cable is damaged and needs replacing.

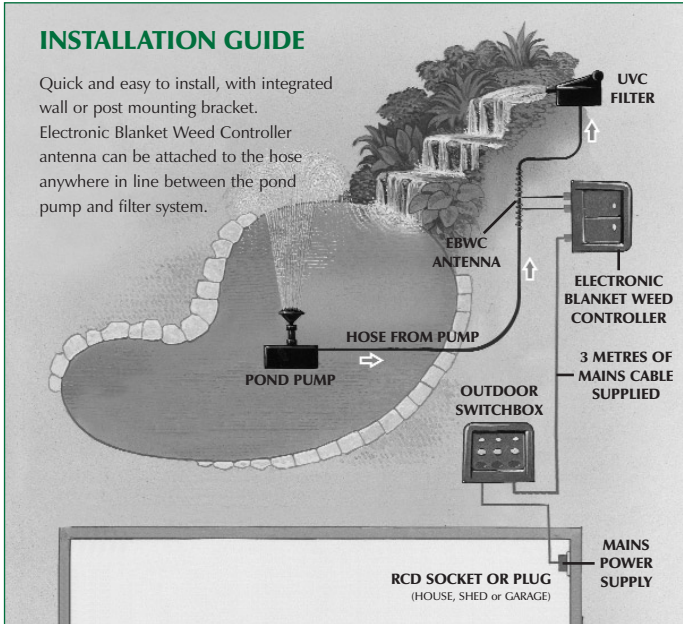
If the active light fails to flash. Turning the power off then on will activate the test circuit which will cause the light to flash for a few seconds. If the active green LED does not light when the red power light is on please return the unit to your retailer.

INSTALLATION

INSTALLATION GUIDE

Quick and easy to install, with integrated wall or post mounting bracket.

Electronic Blanket Weed Controller antenna can be attached to the hose anywhere in line between the pond pump and filter system.



IMPORTANT: This outlet box is intended to be used with either a weatherproof cable connector or permanently connected to the fixed wiring of the mains system other than by means of a plug and socket. A Residual Current Device (RCD), also known as Residual Current Circuit Breaker (RCCB), having a tripping current not exceeding 30mA must be installed in the supply circuit.

This unit should be connected to a mains supply that is fused with a 13 amp fuse or 10/15 amp circuit breaker .

IMPORTANT: This product is designed as a sealed unit and has no internal replaceable parts. Do not remove the cover or attempt to modify or repair. Do not drill or modify the product in anyway! Do not use the product if it is damaged.

INSTALLATION

ELECTRICAL INSTALLATION



The power supply must meet the specifications on the product.

This product is intended to be used with either a weatherproof cable connector or permanently connected to the fixed wiring in the main system other than by means of a plug and socket.

The cores in the supply cable are coloured in accordance with the following code: **Brown = Live, Blue = Neutral**

The electric cable is permanently connected and sealed in the motor body. If the supply cable is damaged the pump must not be used. Do not use the supply cable to lift the pump as this may cause damage.

For permanent installations to the mains supply, it is necessary to conform to the regulations of the local electricity authority and this would include the use of a metal or plastic conduit to protect the cable.

Attention has been drawn to the fact that special rules may exist concerning the installation of your EBWC (i.e. local building regulations).

Always disconnect the mains electricity supply whilst the equipment is being installed, repaired, maintained or handled. Consult a qualified electrician if in doubt about wiring this product to the mains supply.

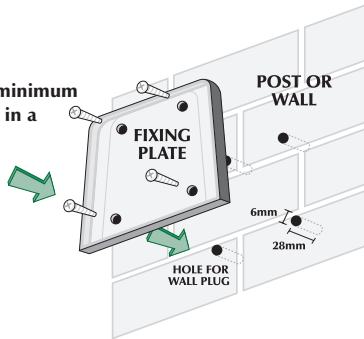
IMPORTANT: Please note all electrical work on garden lighting and power installations must comply with part P of the building regulations. Failure to comply is a criminal offence. If the installation of this product is not carried out by a competent electrician who is registered under the Part P self-certification scheme then you must notify the local building control department before work begins. For further information and guidance on this matter and other electrical installations in your home that might be covered by the relevant legislation, contact your local authorities building control department.

INSTALLATION

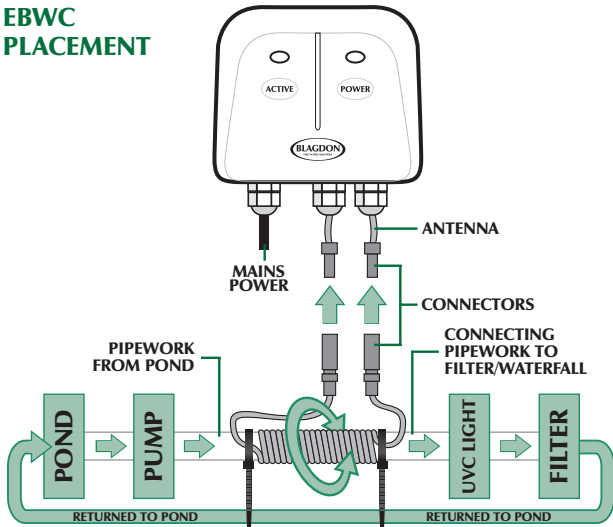
EBWC MOUNTING

The EBCW should be situated a minimum of 1.5 metres from the pond and in a site that is protected from:

- Flooding
- Extreme heat
- Physical damage
- Tampering by adults children or pets



EBWC PLACEMENT



INSTALLATION

1. The antenna should be wrapped around the pipe work from your pump to the UVC filter or waterfall tightly at least 15 times. Start by securing one end of the antenna to the pipework with the cable ties provided.

Ensure that the turns run closely together along the pipework and do not form layers one on top of the other.

Leave enough antenna wire free to connect the connectors to the EBCW.

Use the cable ties provided to secure the end of the antenna to the pipework.

All pipework that is not metal is compatible.

2. Insert the female cable connectors fully into the male connectors attached to the EBWC.
3. Turn on the power to the EBWC. This will illuminate the red power on light. The EBWC active LED light will begin to continuously flash indicating that the radio frequencies are being transmitted by the antenna. If the active light flashes for a few seconds and stops this indicates that the connectors have not been fully inserted or that there is a fault within the antenna cable.

IMPORTANT

FAULTS - PROBLEMS PROCEDURE

Before returning your Electronic Blanket Weed Controller to your dealer or contacting our Consumer Advice Department, please carry out the following steps. This will solve most problems quickly and easily.

1. Ensure electrical procedures have been followed fully. Check fuses and any cable connectors. Check mains fuse and mains RCD.
2. Return EBWC to the point of purchase for inspection and advice (you will need proof of purchase).

CONSUMER ADVICE CONTACT DETAILS

Interpet (Blagdon) Consumer Advice Department

Vincent Lane, Dorking, Surrey RH4 3YX

Telephone: 0845 226 7437

(Monday to Friday 10am to 4pm except Bank Holidays - Times may vary)

Fax: 01306 876712 E-mail: customercare@interpet.co.uk